

BHA

**Building Resilience In Communities Affected by Conflict And Crisis
(BRIDGE) Program Gadaref**

Upgrade hand pump into Mini Water yard

Structure content:

- **foundation**
- **Grid Beam**
- **Wall & Massonary**
- **Slab & Ring Beam**



PROJECT :
MINI
WATER
YARD

NAMES :

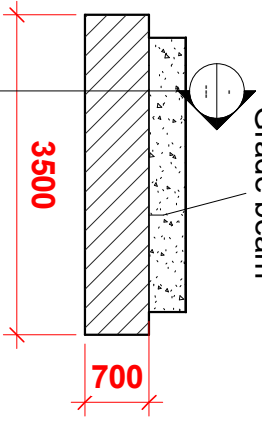
FOUNDATIONS

:

Empty box for drawing or notes.

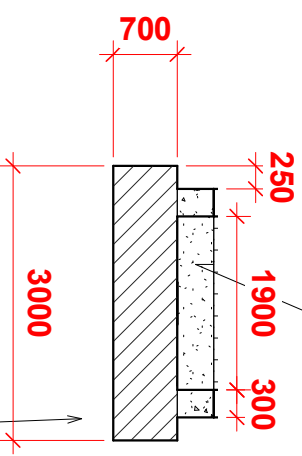
Empty box for drawing or notes.

B30X40
Grade beam

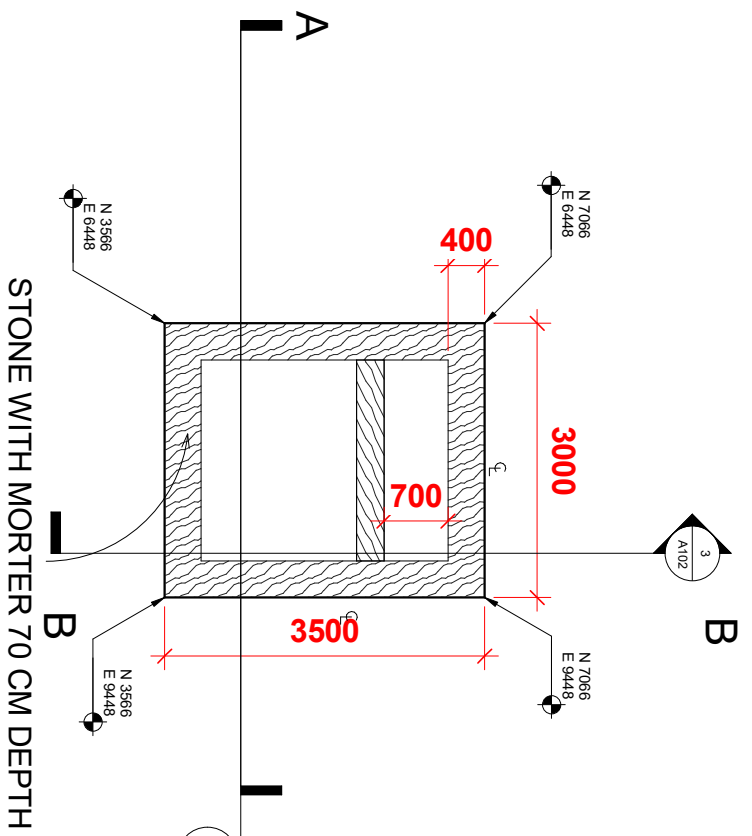
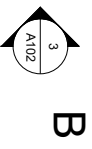


3
Section B-B for Foundation
1 : 50

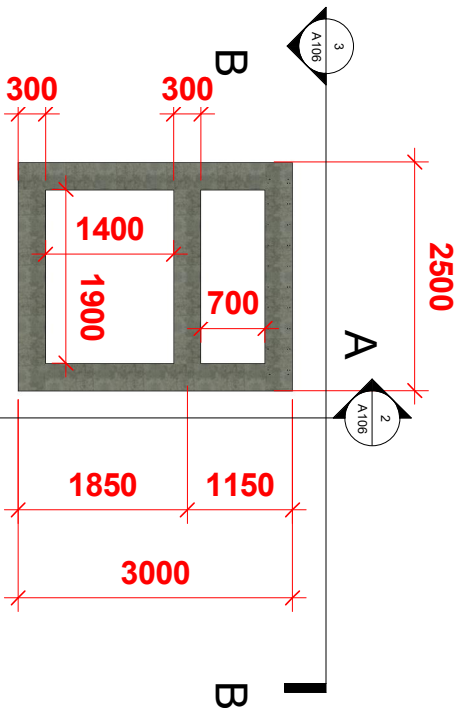
B30X40
Grade beam



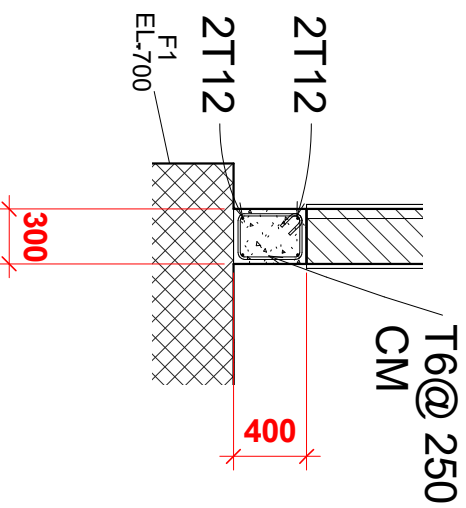
2
Section A-A For foundation
1 : 50
foundation from stone with mortar
70 cm Depth



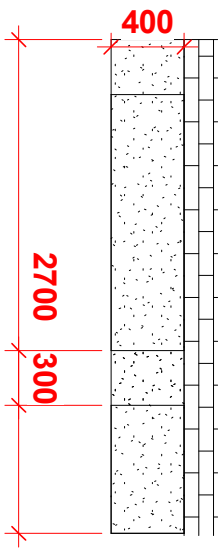
Foundation plan for elevated Tank



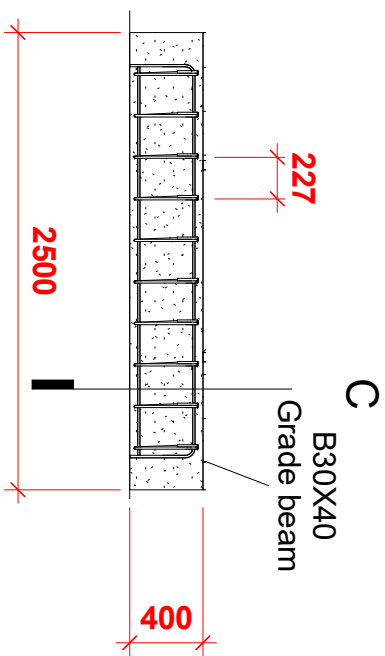
1 Grade beam
1 : 50



4 Section c-c Beam , Wall and
Foundation
1 : 25



2 Section A-A For grade beam
& Wall
1 : 25



3 Section B-B For Grade beam
C
1 : 25



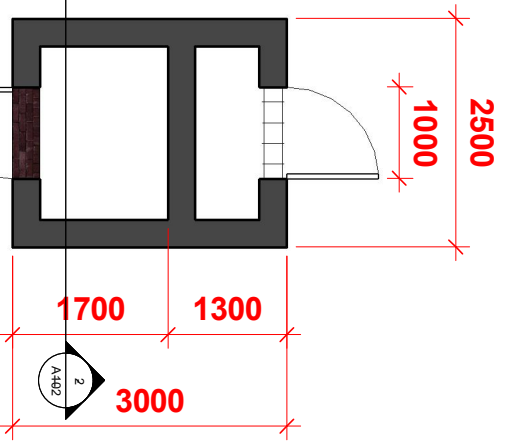
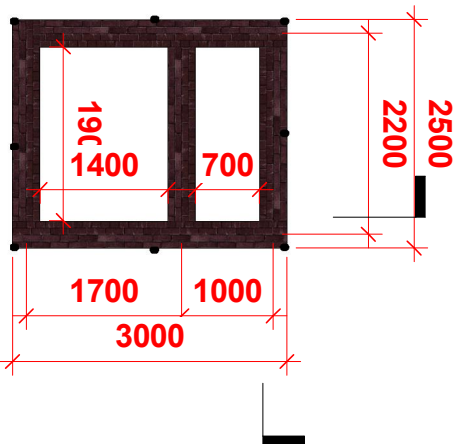
PROJECT :
MINI
WATER
YARD

NAMES :
GRADE
BEAMS &
WALL :



PROJECT :
MINI
WATER
YARD

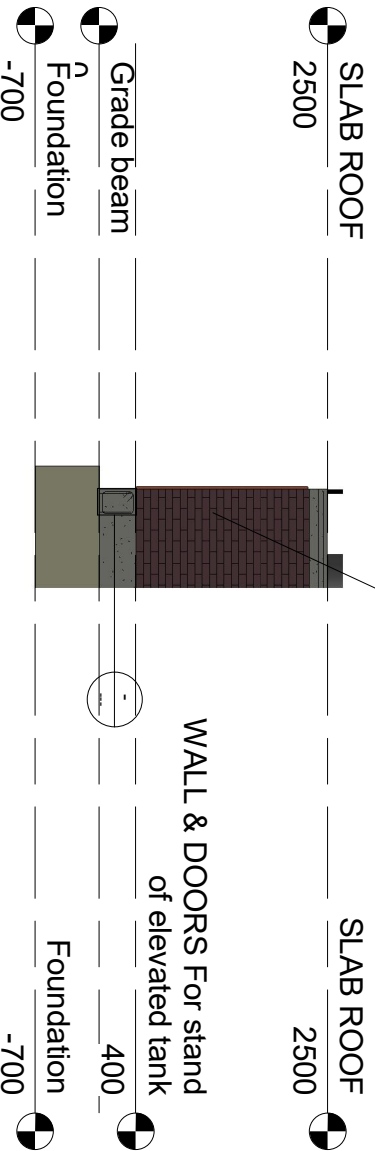
NAMES :
WALLS



1 WALL & DOORS For stand
of elevated tank
1 : 50

2 WALL
1 : 50

1.5 Brick For Wall



3 BEAM AND WALL SECTION
1 : 50

SLAB ROOF
2500

SLAB ROOF
2500

Grade beam
Foundation
-700

WALL & DOORS For stand
of elevated tank
Foundation
-700



PROJECT :
MINI
WATER
YARD

NAMES :
SLABS &
WATER
TANK

